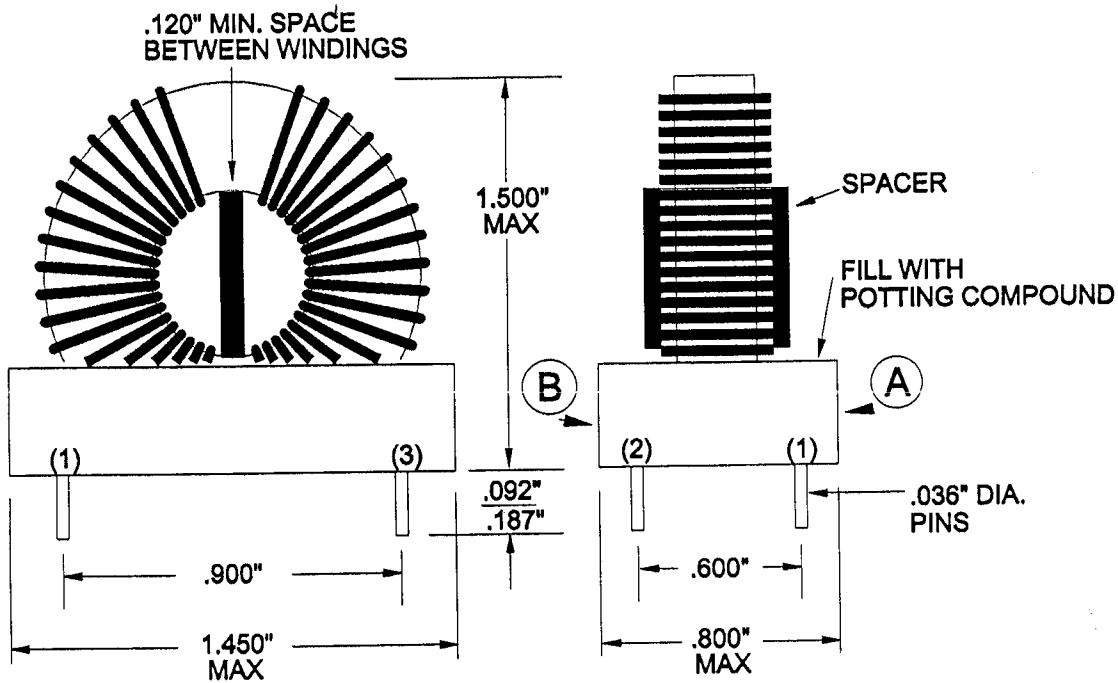
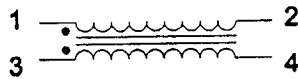
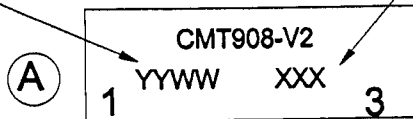


SCHEMATIC DIAGRAM



4 DIGIT DATECODE

MANUFACTURERS CODE



MARKING DETAILS



PRODUCTION TESTS

DC
RESISTANCE
IN OHMS

(1-2) .040 MAX

(3-4) .040 MAX

VERIFY IN WDG
SETUP

POLARITY TESTED: YES

APPLY: 0.1V, 10KHZ

INDUCTANCE: (1-2) 4.00 mHY MIN

INDUCTANCE (1-2) = (3-4) WITHIN .08 mHY

LEAKAGE INDUCTANCE:

45.0 - 225 uHY (1-3) WITH (2-4) SHORTED

HIPOT: 2850V WDG - WDG (1 SECOND)

REV	DESCRIPTION	DATE
E	ECN 8171	11/06/01



24